

**FIF-232C CAT SYSTEM INTERFACE
FOR COMPUTER CONTROL OF THE FT-980**

**YAESU MUSEN CO., LTD.
C.P.O. BOX 1500 TOKYO, JAPAN**

FIF-232C CAT SYSTEM INTERFACE FOR COMPUTER CONTROL OF THE FT-980

The FIF-232C is a serial data polarity and level adapter which converts I/O signals for the CAT external control system in the FT-980 when control is exercised from a microcomputer equipped with an IEEE standard RS-232C serial interfacing bus. Software is not supplied with the FIF-232C, as this must be developed by the user for his particular computer. Critical information pertaining to the control programming is provided in the CAT System Serial I/O Data Manual.

This Kit contains the following:

| | Yaesu Part No. |
|--|----------------|
| FIF-232C Interface Unit | D3000307 |
| Auxiliary PTT/AGC Control Cable | T9204760 |
| Transceiver-Interface Control Cable (6-pin DIN plugs) | T9204640 |
| Spare Fuse (0.5A) | Q0000001 |
| CAT System Serial I/O Data Manual | |

Interconnections

Before connecting the FIF-232C, make sure the POWER switches on the transceiver and the computer are both OFF. Do not connect the AC power cord of the FIF-232C to the wall outlet until after all connections have been made.

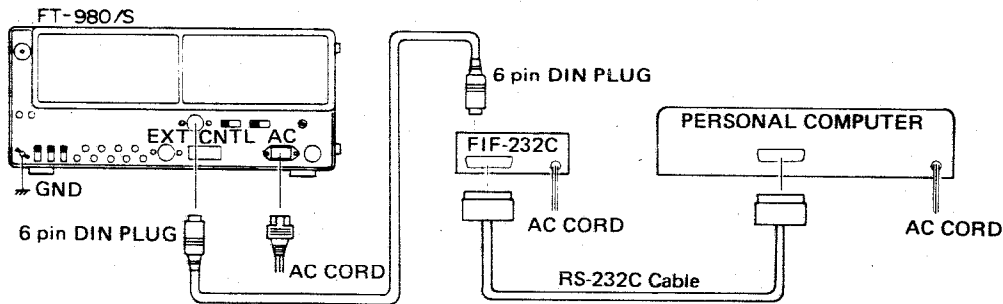
Connect the equipment as shown in the following diagram. The RS-232C Cable for connecting the FIF-232C to the computer is not supplied with this Kit, and must be obtained separately (see your computer dealer).

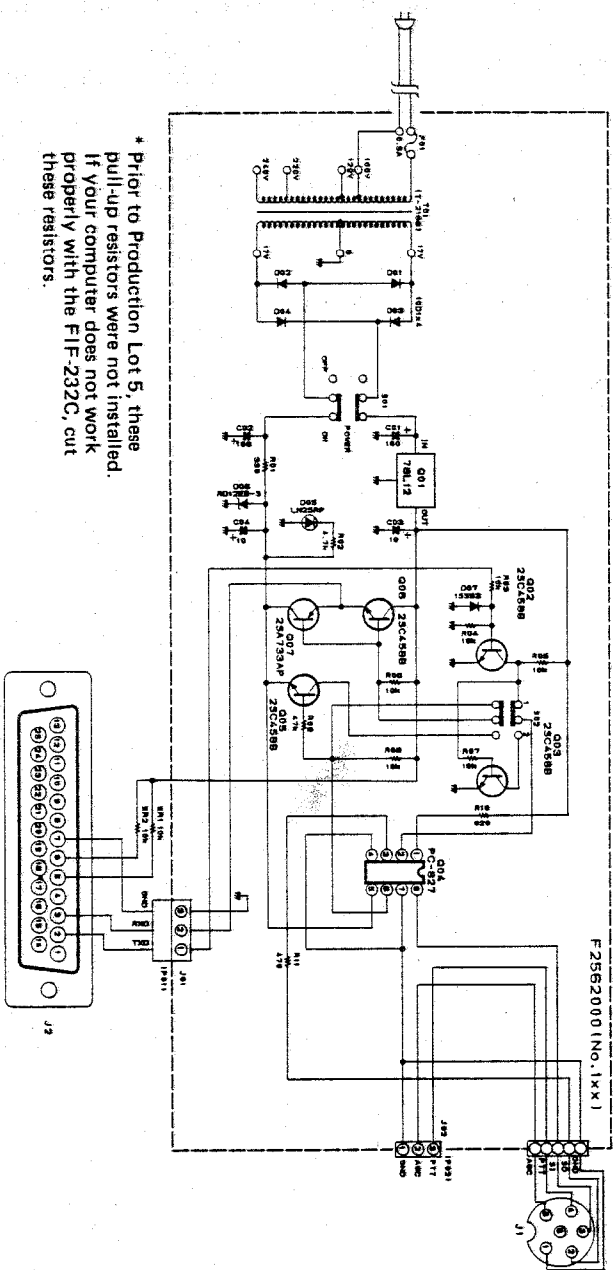
After all connections have been made, switch on the transceiver first, followed by the computer, and finally connect the FIF-232C to the wall outlet and switch it on. Your external control program may now be loaded into the computer.

Polarity Selection and External AGC/PTT Connections

The FIF-232C is set at the factory to provide output signals in the opposite polarity from the input signals. Should your computer require that the interface output and input signals be of the same polarity, this can be selected by the internal switch on the pc-board inside the FIF-232C. When this switch is set to position 1 (nearest the power transformer), polarity is inverted. Simply move this switch to position 2 to set the input and output polarities to be the same.

The CAT System uses only the TXD and RXD lines of the RS-232C bus for digital data transfer. However, the small jack on the side of the FIF-232C provides access to the AGC and PTT signal lines of the transceiver, for external A/D conversion of the receiver AGC to incorporate into your program, and PTT control.





* Prior to Production Lot 5, these
 bull-up resistors were not installed.
 If your computer does not work
 properly with the FIF-232C, cut
 these resistors.

FIF-232C
 CIRCUIT DIAGRAM