

Thank you for your interest in our schematics. The schematic is available on the next page.

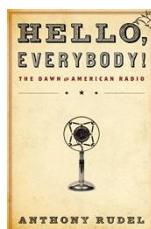
If you want to download additional parts of a schematic, or additional schematics, these must be requested individually.

To provide you with this information, more than 6000 members work regularly on the content of Radiomuseum.org.

As a member, you can access schematics, large images without watermarks and collector's prices. You will also surf at Radiomuseum.org without advertising. To do so, you may support Radiomuseum.org with a one-time membership fee of 20 € or 30 CHF or 25 US \$. We would be delighted if you joined as a member:

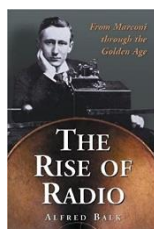
https://www.radiomuseum.org/dsp_anmelden_start.cfm

These books might be of interest of you:



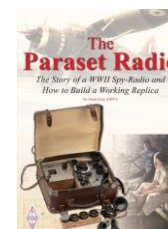
Hello, Everybody! The Dawn of American Radio

Long before the Internet, another young technology was transforming the way we connect with the world. At the dawn of the twentieth century, radio grew from an obscure hobby into a mass medium with the power to reach millions of people.



The Rise of Radio, from Marconi through the Golden Age

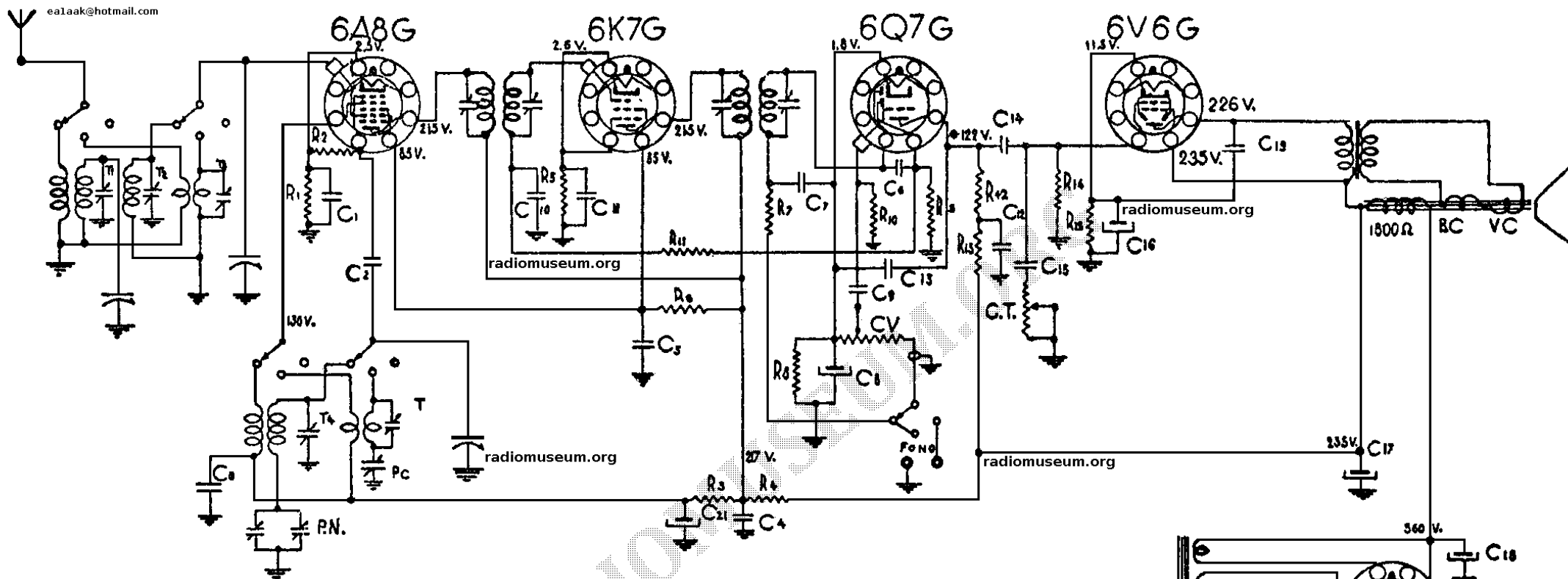
As the dominant form of electronic mass communication in the United States from the 1930s into the 1950s, radio helped to forge a modern continental nation. It fused myriad subcultures heavily rural, ethnic, and immigrant into a national identity, unifying the nation in the face of the Depression and war.



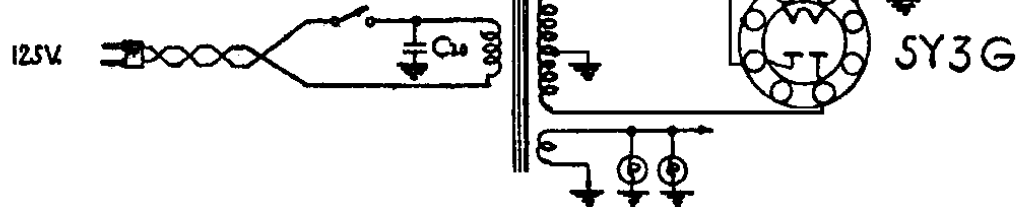
The Paraset Radio: The Story of a WWII Spy-Radio and How to Build a Working Replica

This book describes the gripping story behind the Paraset – a unique spy-radio, dropped behind enemy lines in the dark days of WWII. This radio being both light weight and state of the art for the time was concealed in a suitcase, making ideal for use by the spies of SOE.

Click [here](#) for further information.



Resistencia	Condensadores	Observaciones
R1 250Ω ¼ W	C1 C3 C4 C5 C11 C12 .1 MF	Todas las tensiones son tomador a 125V de red *Conel Voltohmyist. T Trimmer corto TTTT Gang de trimmer PN Padder normal PC - corto
R2 50000Ω ¼ "	C2 C6 mica .0001 "	
R3 20000Ω ¼ "	C19 C15 tubular .005 "	
R4 2000 " 2 "	C7 C13 mica .00250 "	
R5 400 " ¼ "	C9 C20 tubular .01 "	
R6 30000 " ½ "	C10 " .05 "	
R7 100000 " ½ "	C14 " .025 "	
R8 5000 " ¼ "	C16 electrol. 25MF 35 v	
R9 R11 1 MΩ ¼ "	C21 " 8 " 350 v	
R10 R16 50000 Ω ¼ "	C18 C17 " 8 " 500 v	
R12 250000 " ¼ "	C8 " 10 " 35 "	
R15 50000 " ¼ "		
R15 250 Ω 1 "		
CV control de Volumen		
C.T. " " Tone		



Invicta mod 221
 ONDA Normal 520 + 1600 Kc
 corta 5000 + 18400
 F.I. 470Kc